

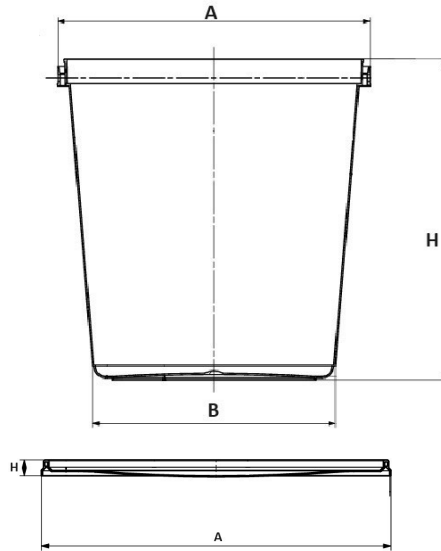


Sheet F01/P17  
of 14.02.2024

## PACKAGING SPECIFICATION BUCKET W23

### BUCKET W23

upper dimensions	166,5 mm
lower dimensions	129,4 mm
height	165,4 mm
dimension tolerance	± 2%
weight	65,52 g ± 5%
capacity	2480ml



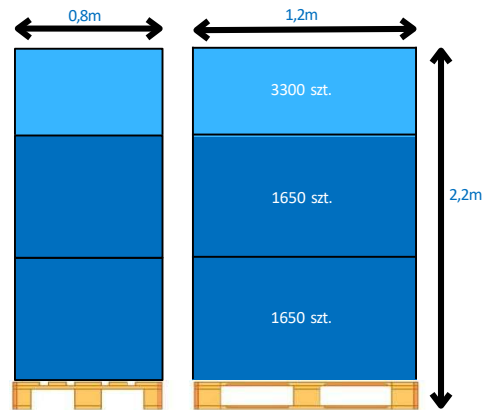
### LID 2,3

Length [A]	162,50 mm
Height [H]	7,00 mm
Weight	15,00g ± 5%

### HOW TO PACK

Euro pallet (1200X800) - cartons:

Bucket	(2 cartons x 1650 pcs) 3 300 pcs
Lid	(1 carton x 3300 pcs) 3 300 pcs
Pallet weight	310 kg
Pallet height	2,2 m



### PRODUCT DESCRIPTION

Bucket made of Polypropylene (PP).  
The materials used in the production are approved for food contact.  
The packaging is recyclable.



### DISTRIBUTION CONDITIONS AND STORAGE

Means of transport: clean, dry, indoor, preventing damage to the packaging.

Storage rooms: clean, dry, covered, pest-protected.  
Recommended storage temperature: 5oC - 40oC

